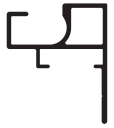




PRODUCT INFORMATION SHEET:

Flat Wall Mount Retro Body



Part Number
2042

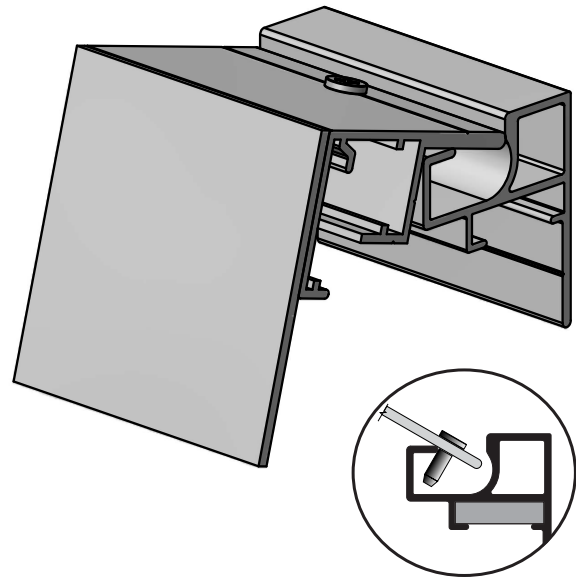
Part
Wall Mount Retro Body

Length
24'-6"

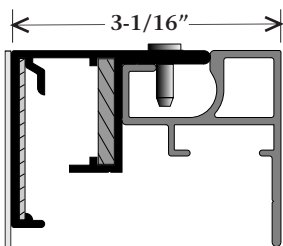
Finish
Mill

Features & Benefits

- Easily attaches to any structure
- Delivers a flat, smooth cabinet surface
- Allows for a hinged face
- Simple structural hinge
- Frame Brace and Frame Support Tube assemblies available to reinforce tension and hinge loads.
- Simple corner angle construction and reinforcement
- Designed for use with Aluminum, Plastic or Flexible faces



Aluminum Faces

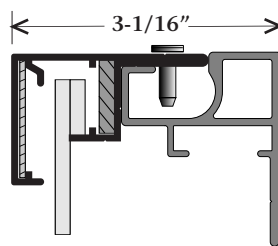


w/ Flat 2" Retainer
Part #2047

Flat 1-1/2" Retainer available
Part #2052

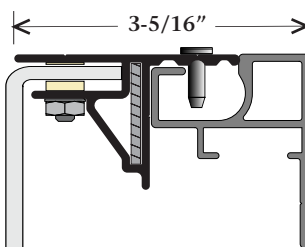
*Overall depth will change
depending on aluminum
thickness applied to Retainer

Plastic Faces



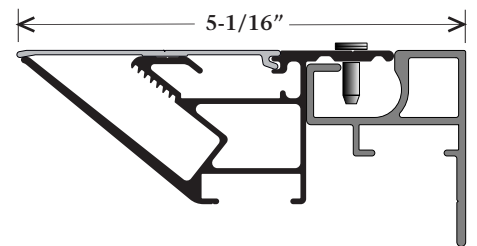
w/ Flat 1-1/2" Retainer
Part #2052

Flat 2" Retainer available
Part #2047



w/ Flat Bleed Rigid Retainer
Part #2204

Flex Faces



w/ Flat Bleed Retro Frame II
Part #2107

Flat Bleed Retro Frame available for non-illuminated
applications.
Part #2104

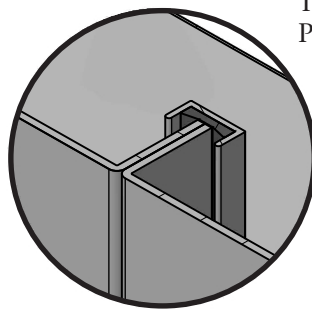
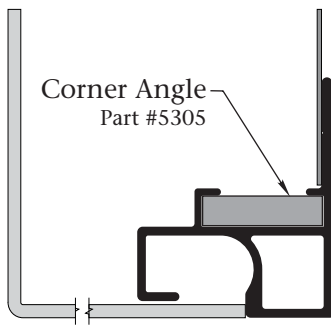
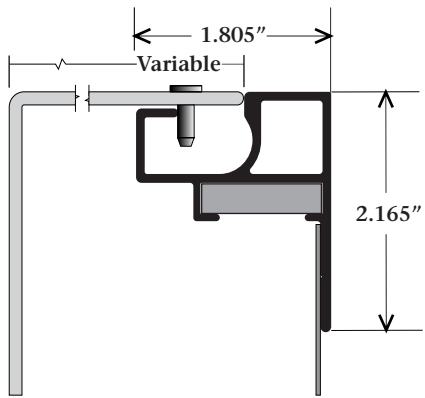
US Patent No. 9,208,701



PRODUCT INFORMATION SHEET:

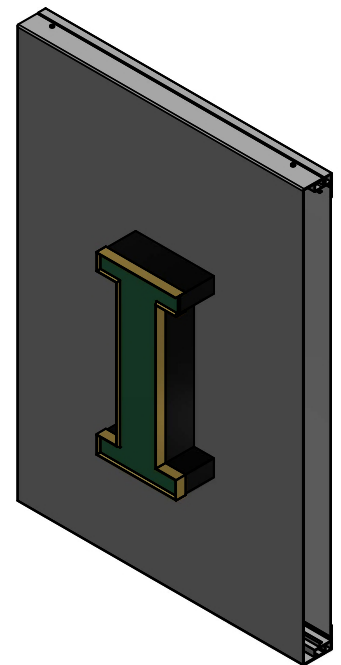
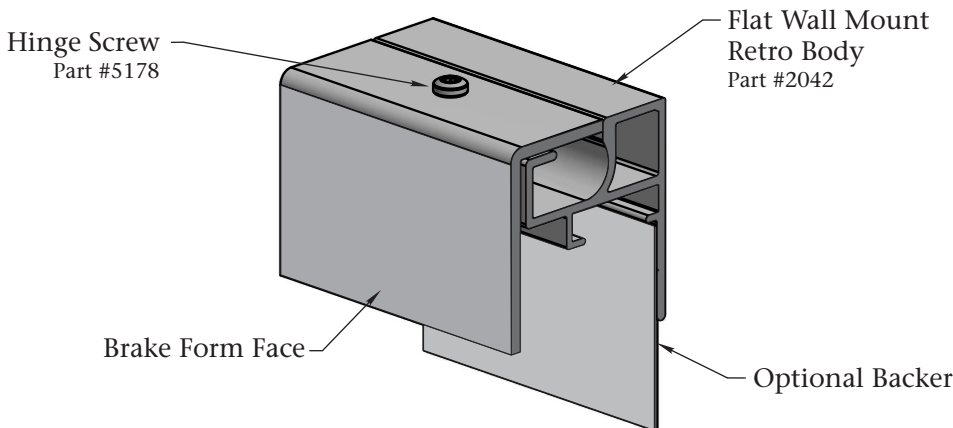
Flat Wall Mount Retro Body

Part Number	Part	Length	Finish
2042	Wall Mount Retro Body	24'-6"	Mill
1978	Channel Letter Raceway U-Channel	12'-2"	Mill



Features & Benefits

- Allows for hinged access to service
- Creates new mounting surface for channel letters
- Covers existing wall blemishes
- Ability to customize height, width, and depth
- Accommodates multiple panels for longer applications



US Patent No. 9,208,701